

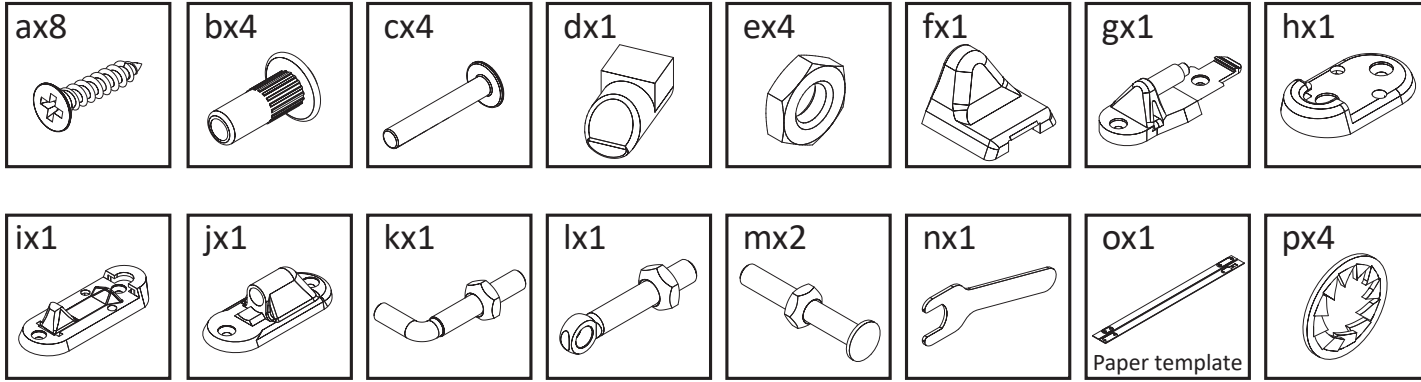
Parts list - SKU 5711x +7711x



Baby Dan A/S
Niels Bohrs Vej 14
DK-8670 Låsby
Denmark

Tel +45 86 95 11 55
Fax +45 86 95 15 91

www.babydan.com
info@babydan.com



This product is supported
by Onbox

Beautiful & simple step-by-step assembly
instructions - directly from your phone.

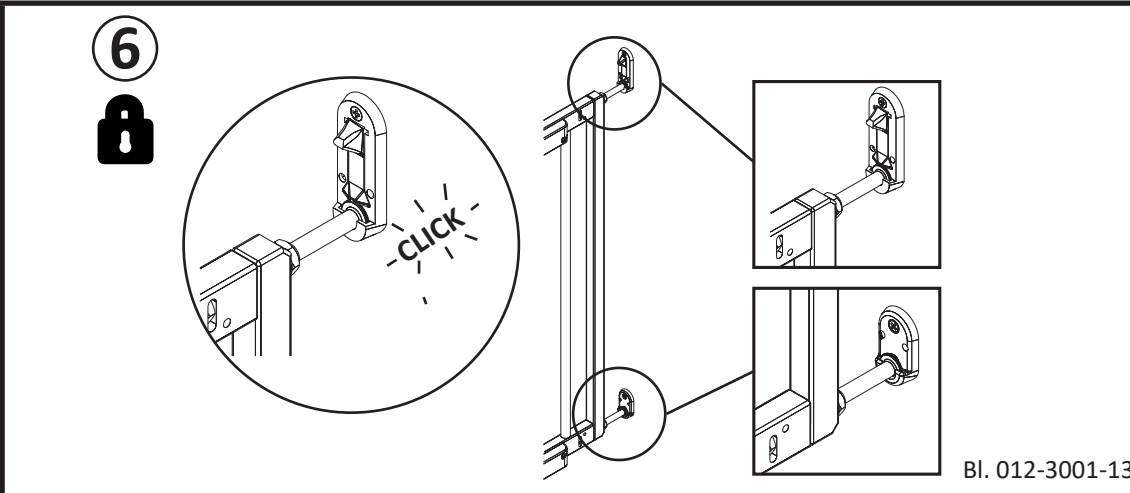
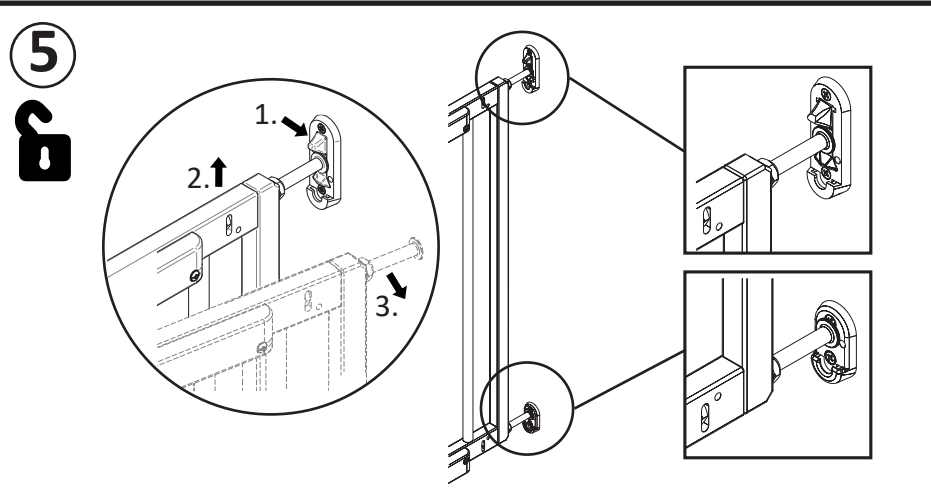
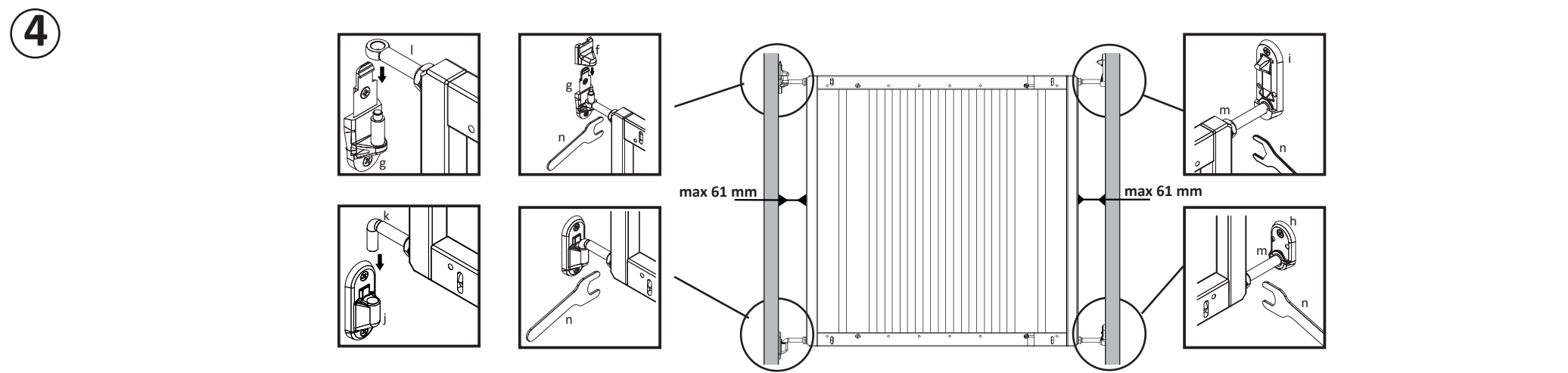
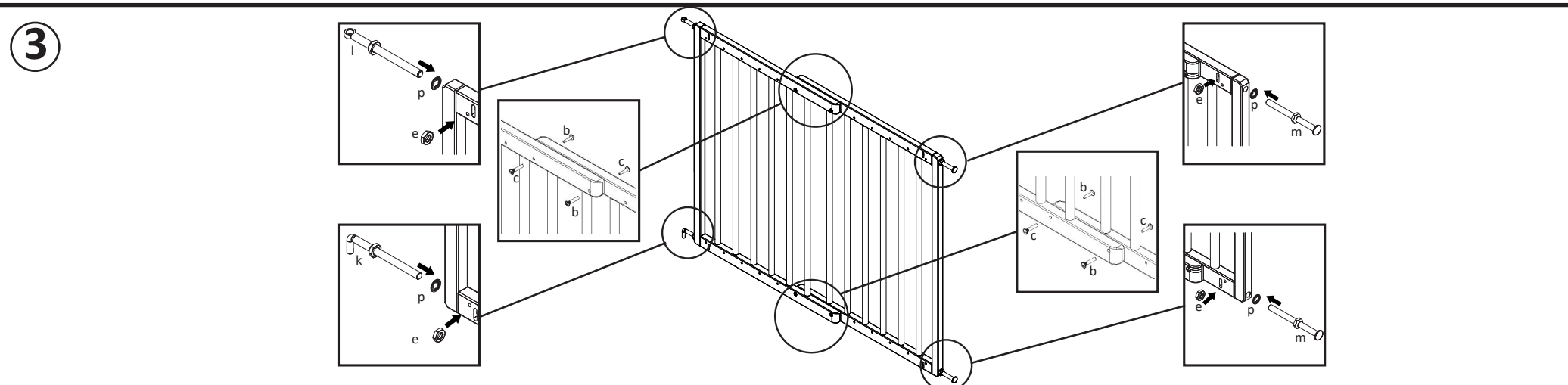
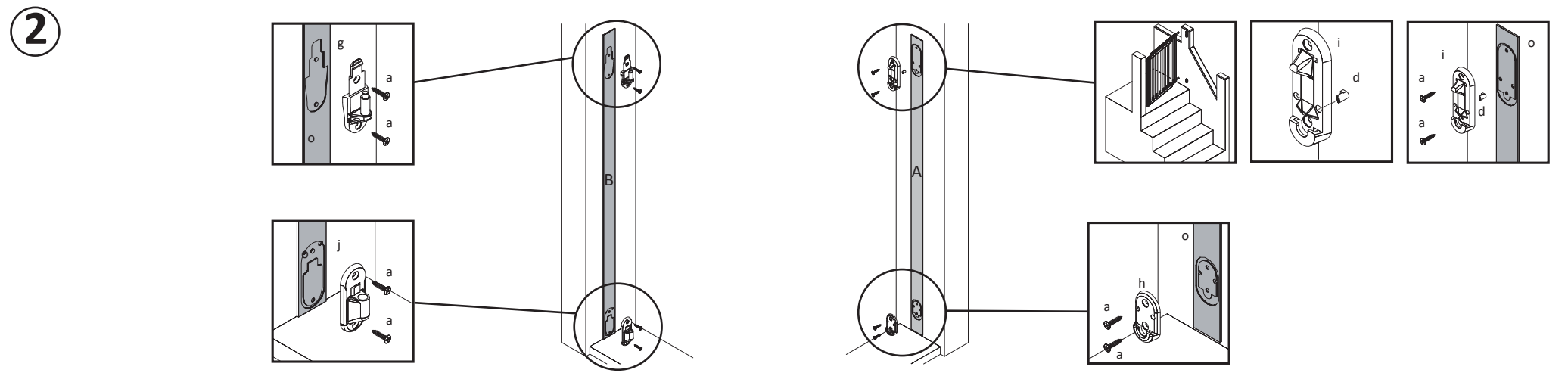
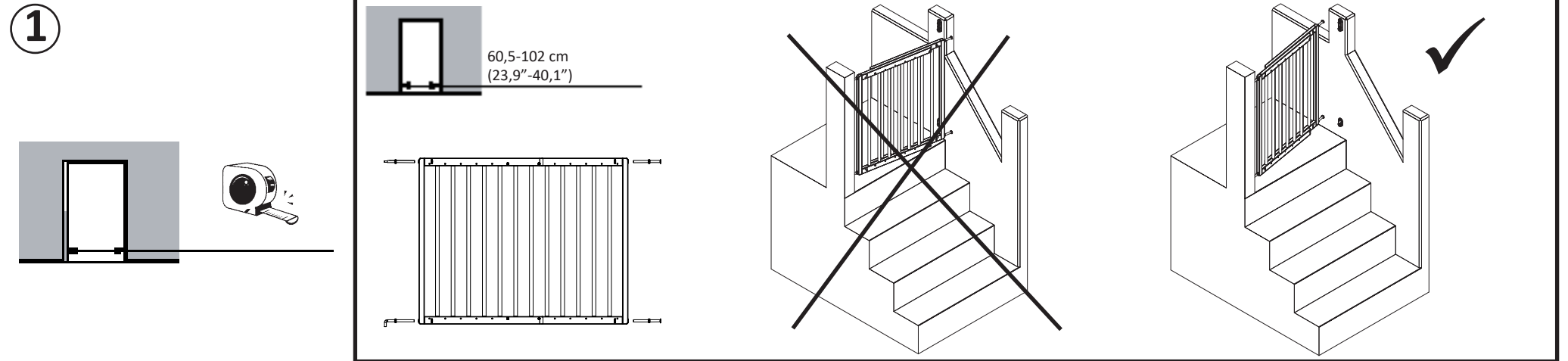
Code:

5711



Search: "BabyDan"

Learn more at: www.zalabia.com



GB: IMPOR-TANT! READ AND FOLLOW THESE IN-STRUCTIONS CAREFULLY AND KEEP FOR FUTURE REF-ERENCE

Product information:
WARNING: Incorrect installation can be dangerous
WARNING: Do not use the safety barrier if any components are damaged or missing.
WARNING: The safety barrier must not be fitted across windows.

Be aware of hazards associated with children using or climbing over the safety barrier. Never climb over the gate. Never allow children to swing on the gate. This safety barrier is for domestic use only. When fitted as instructed, between two clean structurally sound surfaces, this product conforms to EN 1930:2011.

Always keep the barrier in the closed position for the safety of your child and yourself as well as other users.

If the safety barrier is used at the top of the stairs, it should not be positioned below the top level. If the safety barrier is used at the bottom of the stairs, it should be positioned at the front of the lowest tread possible. Please note that this product not necessarily prevents accidents to happen. Never leave your child unattended. This gate is designed for children up to 24 months. However, this guidance should be constantly monitored against your child’s own development, as individual children’s skills do develop at different ages.

Important: The screws provided are only intended for fixing into wood. If fixing into other material, use appropriate screws and wallplugs. (diameter = 4 mm). If mounting onto brick, drywall or other dissimilar surfaces, it may be necessary to mount a smooth surface such as a wooden batten on to the wall. If the gate is damaged or has been exposed to an accident it must not be used again. The safety barrier has a manual closing system.

Only use original Baby Dan spare parts for this product. Always check that the safety barrier is correctly closed and locked . The safety barrier should be checked regularly to ensure that it is secure and functioning in accordance with these instructions. This safety gate is made from wood. Only clean using warm soapy water, or a damp cloth. Do not use abrasive cleaners or bleach.

Baby Dan safety barrier

Baby Dan safety barrier

Baby Dan safety barrier

Baby Dan safety barrier

Baby Dan safety barrier

Baby Dan safety barrier

Baby Dan safety barrier

Baby Dan safety barrier

Baby Dan safety barrier

Baby Dan safety barrier

Baby Dan safety barrier

Baby Dan safety barrier

Baby Dan safety barrier

Baby Dan safety barrier

Baby Dan safety barrier

Baby Dan safety barrier

Baby Dan safety barrier

Baby Dan safety barrier

Baby Dan safety barrier

Baby Dan safety barrier

Baby Dan safety barrier

Baby Dan safety barrier

Baby Dan safety barrier

Baby Dan safety barrier

Baby Dan safety barrier

Baby Dan safety barrier

Baby Dan safety barrier

Baby Dan safety barrier

Baby Dan safety barrier

Baby Dan safety barrier

Baby Dan safety barrier

Baby Dan safety barrier

Baby Dan safety barrier

Baby Dan safety barrier

Baby Dan safety barrier

Baby Dan safety barrier

Baby Dan safety barrier

Baby Dan safety barrier

Baby Dan safety barrier

Baby Dan safety barrier

Baby Dan safety barrier

Baby Dan safety barrier

Baby Dan safety barrier

Baby Dan safety barrier

Baby Dan safety barrier

Baby Dan safety barrier

Baby Dan safety barrier

Baby Dan safety barrier

Baby Dan safety barrier

Baby Dan safety barrier

Baby Dan safety barrier

Baby Dan safety barrier

Baby Dan safety barrier

Baby Dan safety barrier

Baby Dan safety barrier

Baby Dan safety barrier

Baby Dan safety barrier

Baby Dan safety barrier

Baby Dan safety barrier

Baby Dan safety barrier

Baby Dan safety barrier

Baby Dan safety barrier

Baby Dan safety barrier

Baby Dan safety barrier

Baby Dan safety barrier

Baby Dan safety barrier

Baby Dan safety barrier

Baby Dan safety barrier

Baby Dan safety barrier

Baby Dan safety barrier

Baby Dan safety barrier

Baby Dan safety barrier

Baby Dan safety barrier

Baby Dan safety barrier

Baby Dan safety barrier

Baby Dan safety barrier

Baby Dan safety barrier

Baby Dan safety barrier

Baby Dan safety barrier

Baby Dan safety barrier

Baby Dan safety barrier

Baby Dan safety barrier

Baby Dan safety barrier

Baby Dan safety barrier

Baby Dan safety barrier

Baby Dan safety barrier

Baby Dan safety barrier

Baby Dan safety barrier

Baby Dan safety barrier

Baby Dan safety barrier

Baby Dan safety barrier

Baby Dan safety barrier

Baby Dan safety barrier

Baby Dan safety barrier

Baby Dan safety barrier

Baby Dan safety barrier

Baby Dan safety barrier

Baby Dan safety barrier

Baby Dan safety barrier

Baby Dan safety barrier

Baby Dan safety barrier

Baby Dan safety barrier

Baby Dan safety barrier

Baby Dan safety barrier

Baby Dan safety barrier

Baby Dan safety barrier

Baby Dan safety barrier

Baby Dan safety barrier

Baby Dan safety barrier

Baby Dan safety barrier

Baby Dan safety barrier

Baby Dan safety barrier

Baby Dan safety barrier

Baby Dan safety barrier

Baby Dan safety barrier

Baby Dan safety barrier

Baby Dan safety barrier

Baby Dan safety barrier

Baby Dan safety barrier

Baby Dan safety barrier

Baby Dan safety barrier

Baby Dan safety barrier

Baby Dan safety barrier

Baby Dan safety barrier

Baby Dan safety barrier

Baby Dan safety barrier

Baby Dan safety barrier

Baby Dan safety barrier

Baby Dan safety barrier

Baby Dan safety barrier

Baby Dan safety barrier

Baby Dan safety barrier

Baby Dan safety barrier

Baby Dan safety barrier

Baby Dan safety barrier

Baby Dan safety barrier

Baby Dan safety barrier

Baby Dan safety barrier

Baby Dan safety barrier

Baby Dan safety barrier

Baby Dan safety barrier

Baby Dan safety barrier

Baby Dan safety barrier

Baby Dan safety barrier

Baby Dan safety barrier

Baby Dan safety barrier

Baby Dan safety barrier

Baby Dan safety barrier

Baby Dan safety barrier

Baby Dan safety barrier

Baby Dan safety barrier

Baby Dan safety barrier

Baby Dan safety barrier

Baby Dan safety barrier

Baby Dan safety barrier

Baby Dan safety barrier

Baby Dan safety barrier

Baby Dan safety barrier

Baby Dan safety barrier

Baby Dan safety barrier

Baby Dan safety barrier

Baby Dan safety barrier

Baby Dan safety barrier

Baby Dan safety barrier

Baby Dan safety barrier

Baby Dan safety barrier

Baby Dan safety barrier

Baby Dan safety barrier

Baby Dan safety barrier

Baby Dan safety barrier

Baby Dan safety barrier

Baby Dan safety barrier

Baby Dan safety barrier

Baby Dan safety barrier

Baby Dan safety barrier

Baby Dan safety barrier

Baby Dan safety barrier

Baby Dan safety barrier

Baby Dan safety barrier

Baby Dan safety barrier

Baby Dan safety barrier

Baby Dan safety barrier

Baby Dan safety barrier

Baby Dan safety barrier

Baby Dan safety barrier

Baby Dan safety barrier

Baby Dan safety barrier

Baby Dan safety barrier

Baby Dan safety barrier

Baby Dan safety barrier

Baby Dan safety barrier

Baby Dan safety barrier

Baby Dan safety barrier

Baby Dan safety barrier

Baby Dan safety barrier

Baby Dan safety barrier

Baby Dan safety barrier

Baby Dan safety barrier

Baby Dan safety barrier

Baby Dan safety barrier

Baby Dan safety barrier

Baby Dan safety barrier

Baby Dan safety barrier

Baby Dan safety barrier

Baby Dan safety barrier

Baby Dan safety barrier

Baby Dan safety barrier

Baby Dan safety barrier

Baby Dan safety barrier

Baby Dan safety barrier

Baby Dan safety barrier

Baby Dan safety barrier

Baby Dan safety barrier

Baby Dan safety barrier

Baby Dan safety barrier

Baby Dan safety barrier

Baby Dan safety barrier

Baby Dan safety barrier

Baby Dan safety barrier

Baby Dan safety barrier

Baby Dan safety barrier

Baby Dan safety barrier

Baby Dan safety barrier

Baby Dan safety barrier

Baby Dan safety barrier

Baby Dan safety barrier

Baby Dan safety barrier

Baby Dan safety barrier

Baby Dan safety barrier

Baby Dan safety barrier

Baby Dan safety barrier

Baby Dan safety barrier

Baby Dan safety barrier

Baby Dan safety barrier

Baby Dan safety barrier

Baby Dan safety barrier

Baby Dan safety barrier

Baby Dan safety barrier

Baby Dan safety barrier

Baby Dan safety barrier

Baby Dan safety barrier

Baby Dan safety barrier

Baby Dan safety barrier

Baby Dan safety barrier

Baby Dan safety barrier

Baby Dan safety barrier

Baby Dan safety barrier

Baby Dan safety barrier

Baby Dan safety barrier

Baby Dan safety barrier

Baby Dan safety barrier

Baby Dan safety barrier

Baby Dan safety barrier

Baby Dan safety barrier

Baby Dan safety barrier

Baby Dan safety barrier

Baby Dan safety barrier

Baby Dan safety barrier

Baby Dan safety barrier

Baby Dan safety barrier

Baby Dan safety barrier

Baby Dan safety barrier

Baby Dan safety barrier

Baby Dan safety barrier

Baby Dan safety barrier

Baby Dan safety barrier

Baby Dan safety barrier

Baby Dan safety barrier

Baby Dan safety barrier

Baby Dan safety barrier

Baby Dan safety barrier

Baby Dan safety barrier

Baby Dan safety barrier

Baby Dan safety barrier

Baby Dan safety barrier

Baby Dan safety barrier

Baby Dan safety barrier

Baby Dan safety barrier

Baby Dan safety barrier

Baby Dan safety barrier

Baby Dan safety barrier

Baby Dan safety barrier

Baby Dan safety barrier

Baby Dan safety barrier

Baby Dan safety barrier

Baby Dan safety barrier

Baby Dan safety barrier

Baby Dan safety barrier

Baby Dan safety barrier

Baby Dan safety barrier

Baby Dan safety barrier

Baby Dan safety barrier

Baby Dan safety barrier

Baby Dan safety barrier

Baby Dan safety barrier

Baby Dan safety barrier

Baby Dan safety barrier

Baby Dan safety barrier

Baby Dan safety barrier

Baby Dan safety barrier

Baby Dan safety barrier

Baby Dan safety barrier

Baby Dan safety barrier

Baby Dan safety barrier

Baby Dan safety barrier

Baby Dan safety barrier

Baby Dan safety barrier

Baby Dan safety barrier

Baby Dan safety barrier

Baby Dan safety barrier

Baby Dan safety barrier

Baby Dan safety barrier

Baby Dan safety barrier

Baby Dan safety barrier

Baby Dan safety barrier

Baby Dan safety barrier

Baby Dan safety barrier

Baby Dan safety barrier

Baby Dan safety barrier

Baby Dan safety barrier

Baby Dan safety barrier

Baby Dan safety barrier

Baby Dan safety barrier